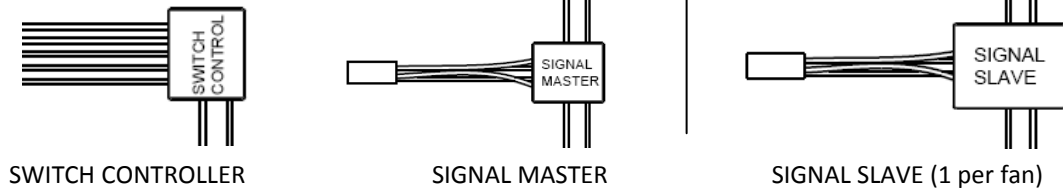


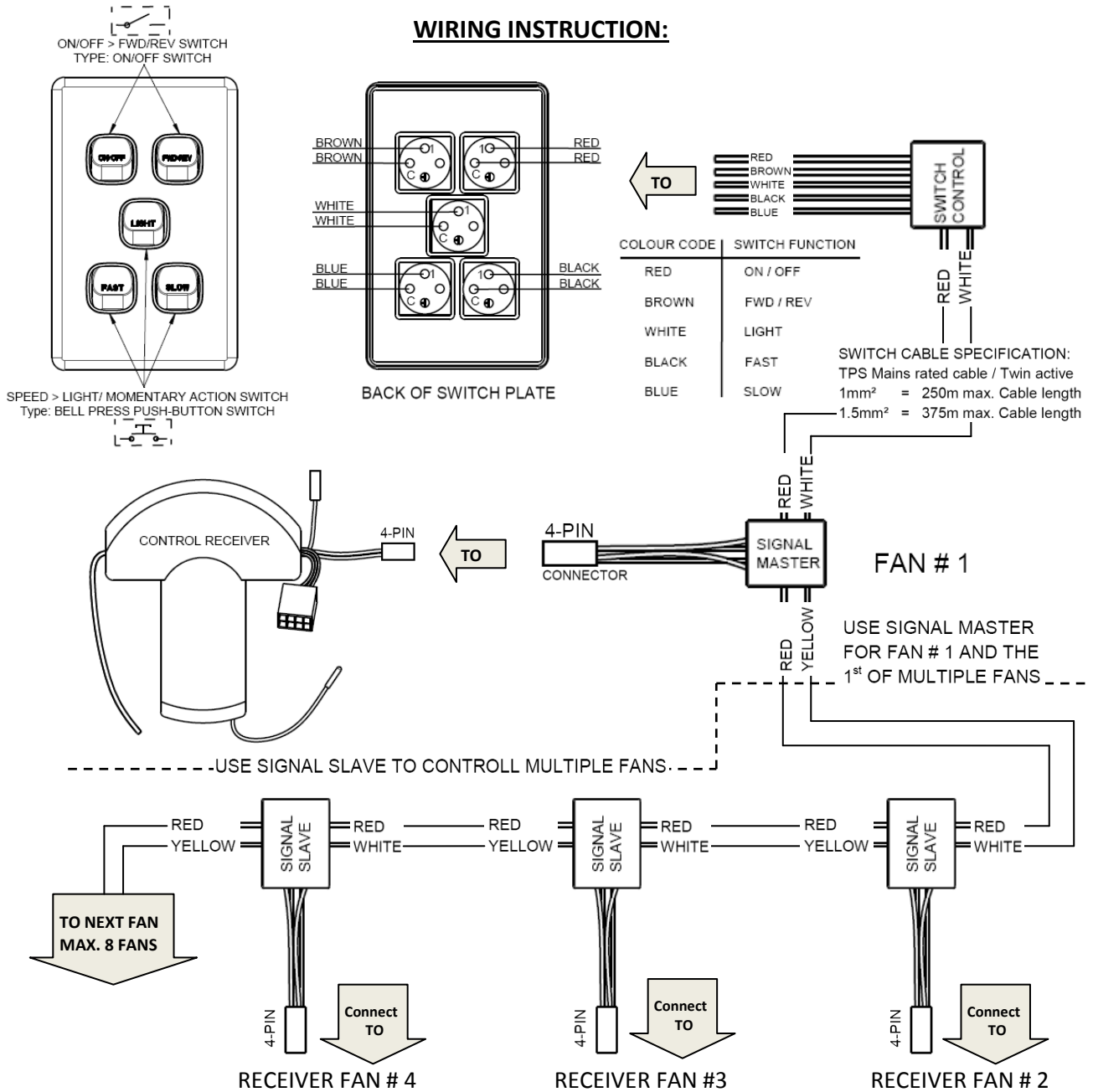
Aeratron™ AE-Ceiling Fan wall switch control manual:

NOTE: Wall switch control must be installed by a licensed and qualified electrician.
One (1) Wall switch plate can control up to eight (8) synchronised Aeratron Ceiling Fans.

Aeratron parts for one fan: (1st fan) and for **(up to 7) additional fans:**



WIRING INSTRUCTION:



For more information and product warranty, please refer to the Aeratron™ Ceiling Fan user manual.

IF THERE ARE ANY PROBLEMS DURING INSTALLATION OF THE FAN, THE INSTALLER MUST CONTACT THE CEILING FAN SUPPLIER HELP LINE BEFORE LEAVING THE SITE.