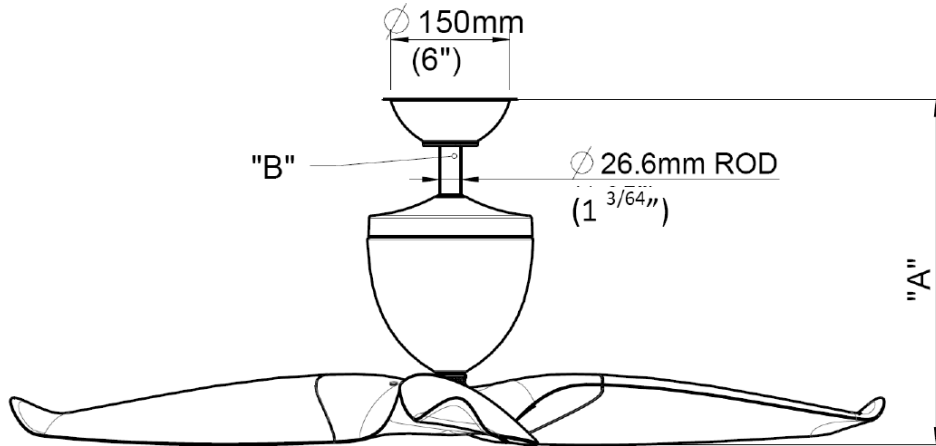


AERATRON CEILING EXTENSION KIT

Ceiling Extension Specification

Suitable for Raked ceilings up to 17°



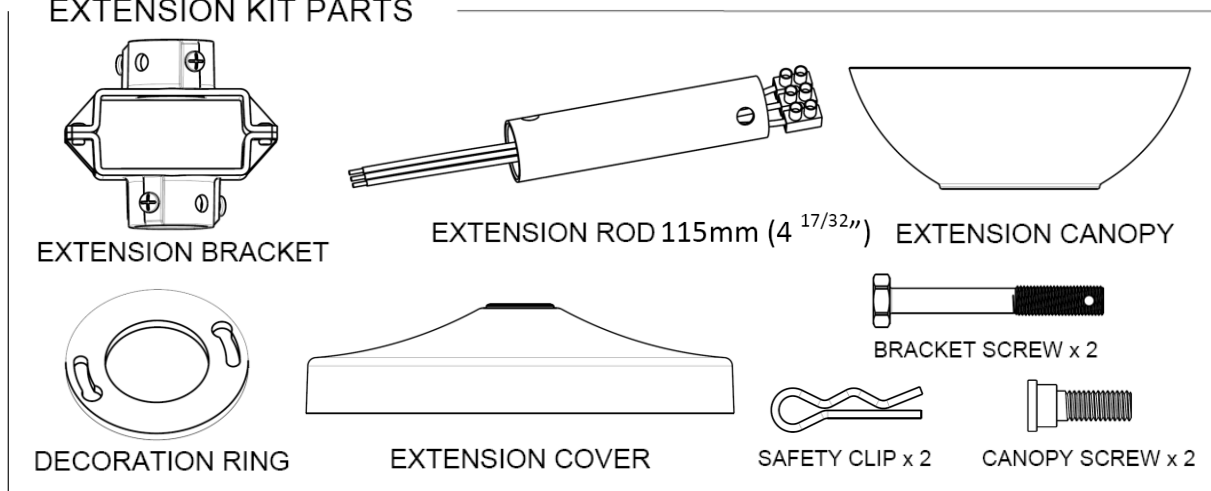
CEILING TO FAN DIMENSION "A"	EXTENSION ROD LENGTH "B"	ACCESSORIES, EXTRAS REQUIRED
440mm (17 ²¹ / ₆₄ "	115mm (4 ¹⁷ / ₃₂ "	- EXTENSION KIT
930mm (36 ³⁹ / ₆₄ "	600mm (23 ⁵ / ₈ "	- EXTENSION KIT - 600mm ROD
1230mm (48 ²⁷ / ₆₄ "	900mm (35 ⁷ / ₁₆ "	- EXTENSION KIT - 900mm ROD

Ceiling Extension Installation

Use this Ceiling Extension instruction in combination with the Aeratron User Manual by inserting these pages at **Page 7** of the User Manual that has been supplied with the purchase of the fan.

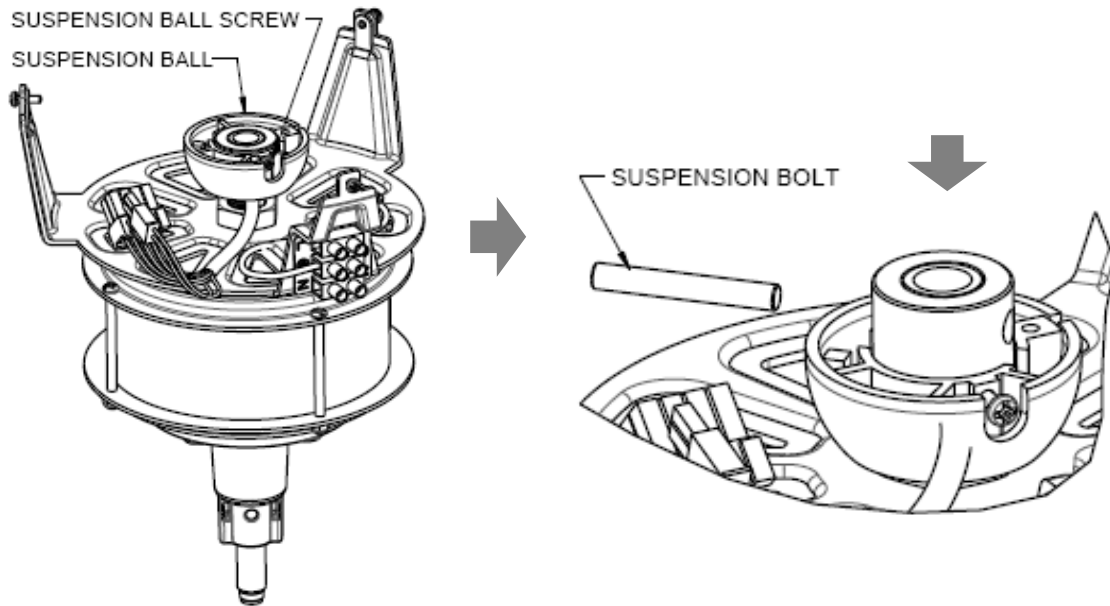
Unpacking the Extension Kit

EXTENSION KIT PARTS

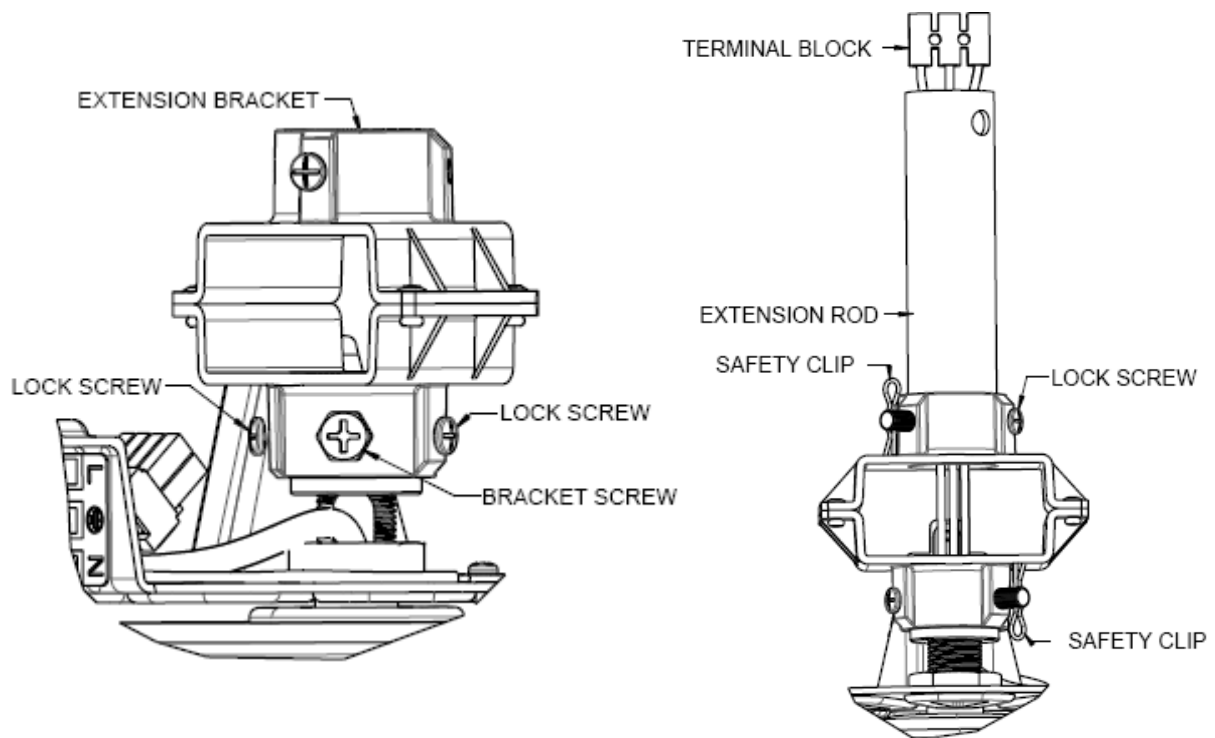


Note: A small colour variation between the fan and the retrofit "Extension parts" is part of standard manufacturing tolerances and consequently will need to be accepted by the user.

Replacing Suspension Ball with Extension Bracket



Unscrew the suspension ball screw and push the suspension ball down and remove the suspension bolt and the suspension ball from the motor shaft.

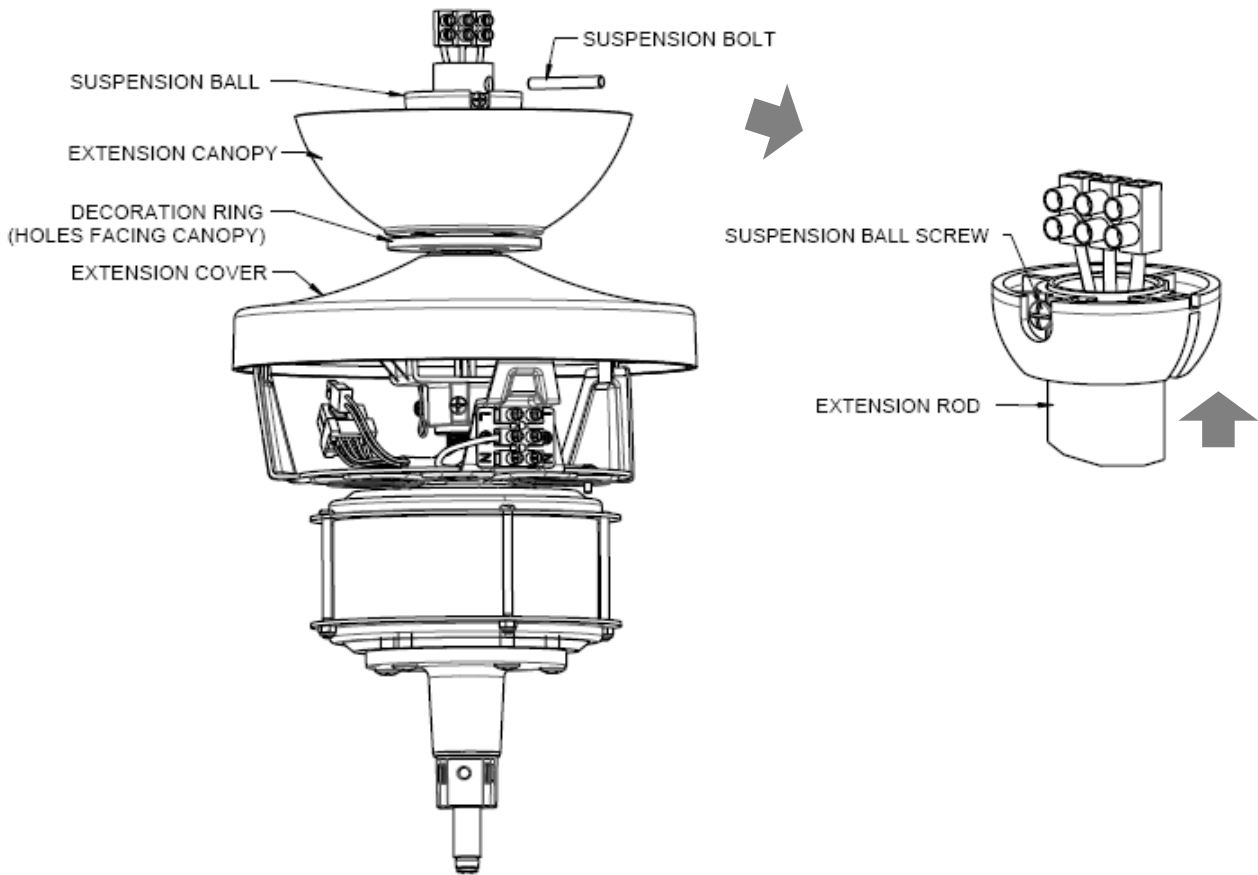


Fix the extension bracket to the motor shaft using the bracket screw and tighten up the 2 lock screws to secure the extension bracket.

Fix the extension rod to the extension bracket using the bracket screw and tighten up the 2 lock screws to secure the extension rod.

Insert the 2 safety clips into the hole in the bracket screw to secure this assembly.

Assemble Extension parts to Motor Extension Rod

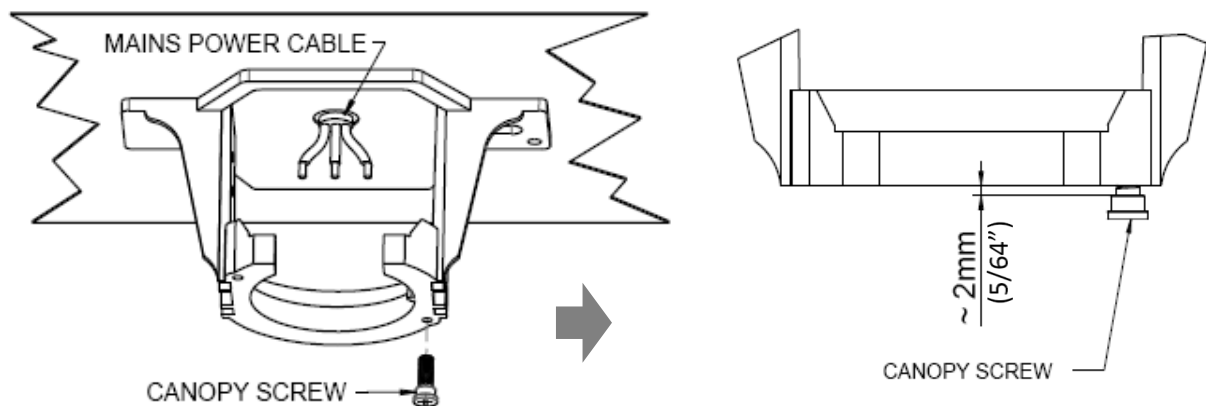


Assemble the **Extension cover** >**Decoration ring** >**Extension canopy** >**Suspension ball** onto the Extension rod in order & orientation as shown above. (Holes in Decoration ring facing the Canopy)

Fix the Suspension ball to the Extension rod by sliding the Suspension bolt through the hole in the Extension rod, move up the Suspension ball till enclosing the Suspension bolt and tighten up the Suspension ball screw.

Fixing Canopy Screw to Hanger Bracket

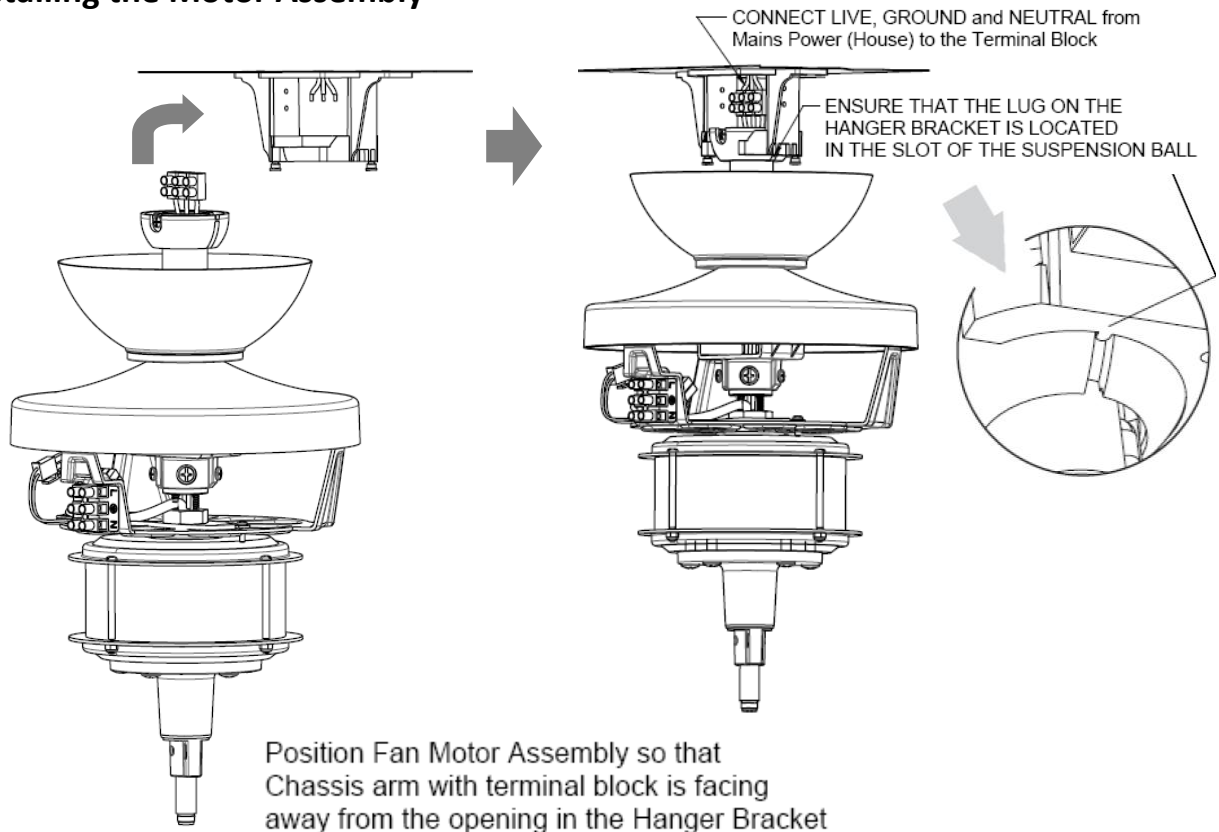
Refer to **Page 7** of the Ceiling Fan User Manual for correct Hanger bracket ceiling mount.



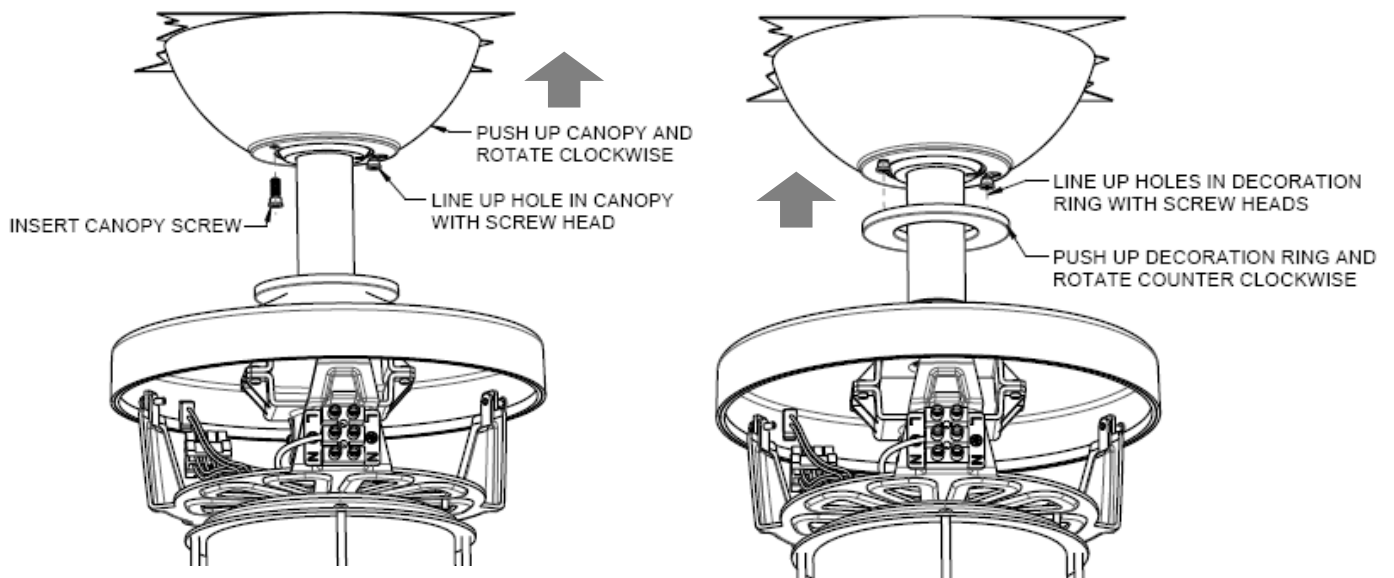
Fix one (1) Canopy screw to the Hanger bracket screw hole, leaving a cap of ~ 2mm (5/64") between the screw head and the Hanger bracket.

AERATRON >> SILENT EFFICIENCY

Installing the Motor Assembly



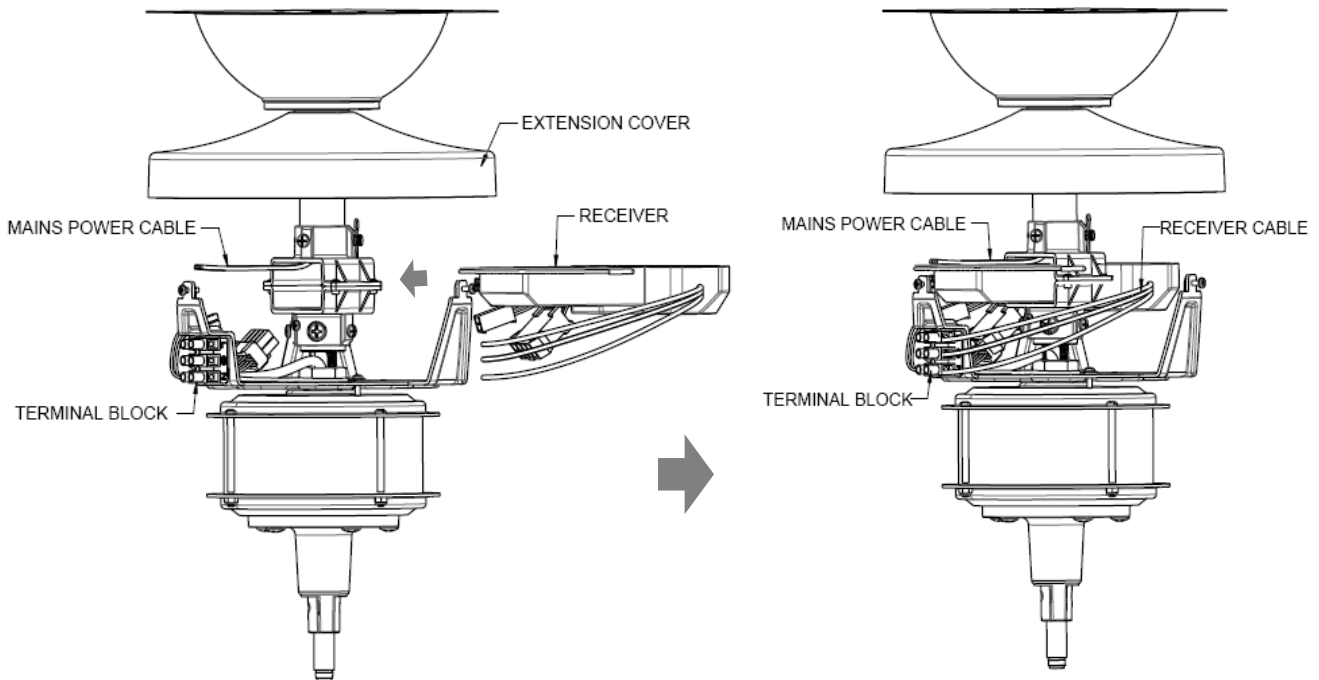
Attaching Canopy and Decoration Ring to Hanger Bracket



Line up hole in Canopy with screw head, push up the canopy and rotate clockwise
Line up second hole with Hanger bracket hole and insert Canopy screw and tighten up both screws
Line up large holes in Decoration Ring with screw heads, push up and rotate the Decoration Ring counter clockwise

IF PROBLEMS OCCUR DURING INSTALLATION OF THE FAN, PLEASE CONTACT YOUR LOCAL OR NATIONAL CEILING FAN SUPPLIER AND ASK FOR ASSISTANCE BEFORE LEAVING THE SITE.

Installing Remote Control Receiver into Extension Bracket



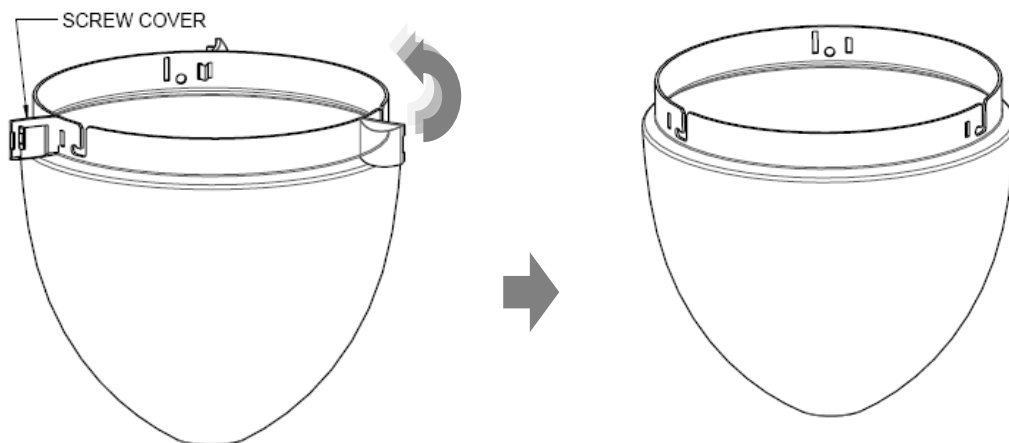
Move up the Extension cover and slide the Receiver into the Extension bracket from the opposite side of the Terminal block in the orientation as show, allowing the Mains power cable free movement between the Bracket and Receiver

NOTE:

Refer to page 9 in the **Ceiling Fan User Manual** to connect **Receiver & Motor!**

!!TEST MOTOR NOW (refer to page 10) before mounting the motor housing!!

Remove Screw Cover from Motor Housing



Fully open up the Screw cover > **pull out and rotate upwards** > to remove each of the 3 Screw cover
Refer to page 11 in the User Manual to finish the Fan assembly (motor Housing and Fan Blades)

For General Information & Warranty issues refer to the Aeratron™ User Manual available at www.aeratron.com

AERATRON >> SILENT EFFICIENCY

THANK YOU!
YOUR AERATRON TEAM

International Edition 2015.

IF PROBLEMS OCCUR DURING INSTALLATION OF THE FAN, PLEASE CONTACT YOUR LOCAL OR NATIONAL CEILING FAN SUPPLIER AND ASK FOR ASSISTANCE BEFORE LEAVING THE SITE.